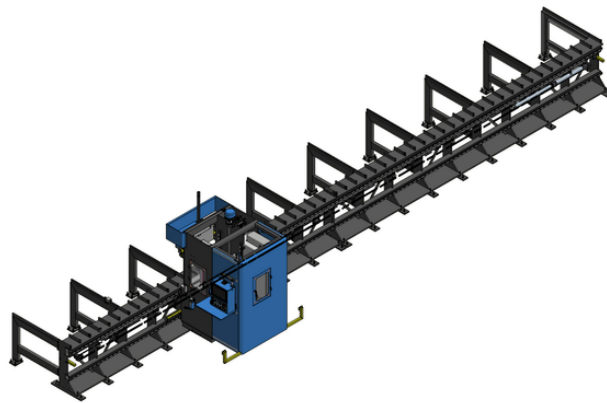


TECHNICAL FEATURES BRD MODEL:

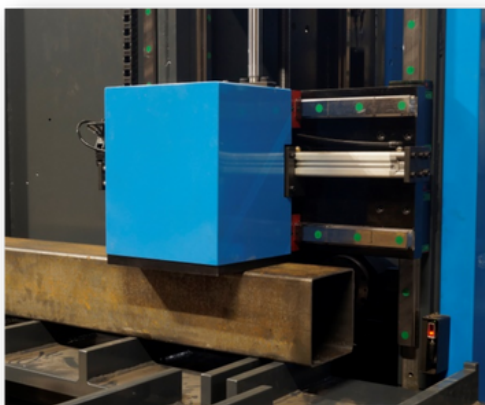
Model	12006	16006	12010	16010
Drilling capacity*	Ø42 mm			
Tapping capacity*	M27			
Spindle motor	13'1 kW			
Spindle speed	Con regulación continua hasta 3000 rpm			
Max. torque	167 Nm			
Spindle type	BT 40			
Table length (mm)	12000	16000	12000	16000
X-axis travel	12000	16000	12000	16000
Y-axis travel	610	610	1010	1010
Maximum tool length	325 mm			
Head-table distance	110 mm			

OPTIONS FOR BRD MODELS:

- Radio remote control for Start/Stop/Emergency stop.
- Automatic profile turning device.
- Measuring system to correct the width of the workpiece (Y-reader).
- Measuring system for correcting the front of the workpiece (Z-reader).



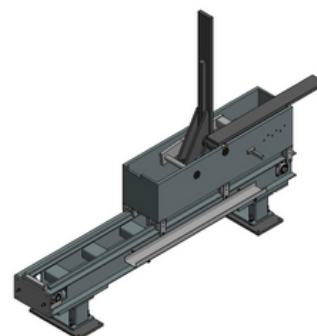
PRACTICAL EXAMPLES BRD MODEL:



Hydraulic clamping systems



Laser zero point sensor



Parts rotator